

Revision Notes.

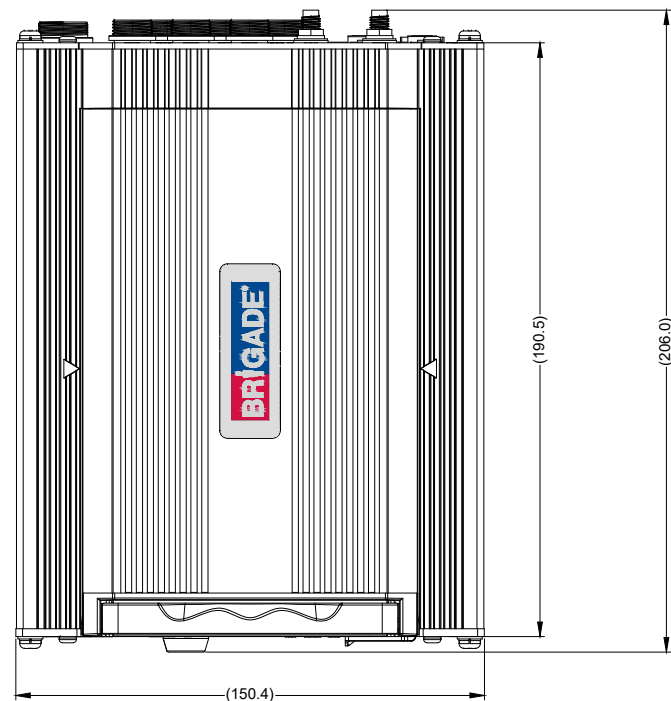
APA:

Drawn:

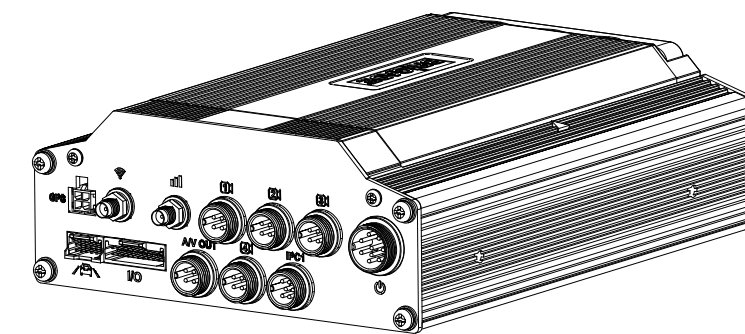
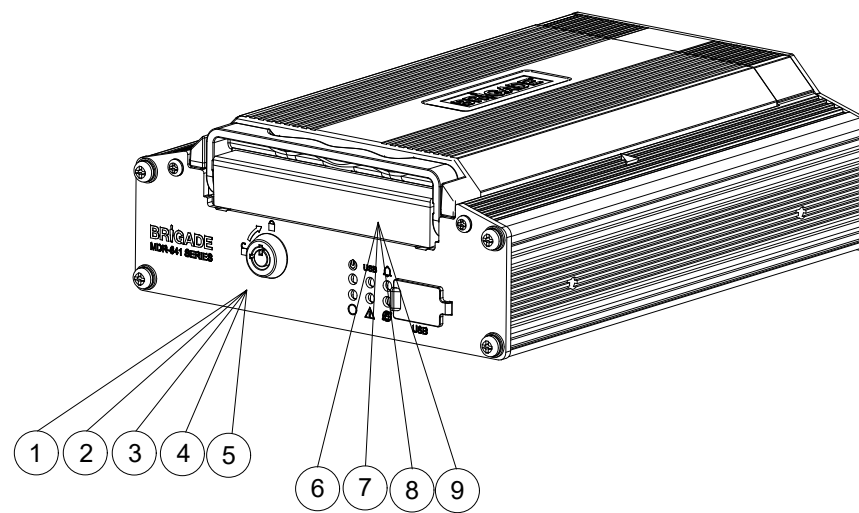
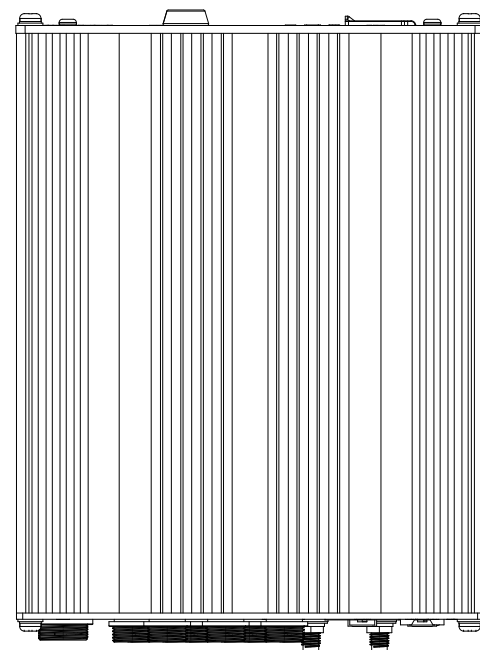
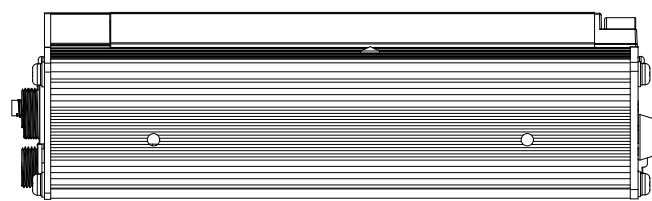
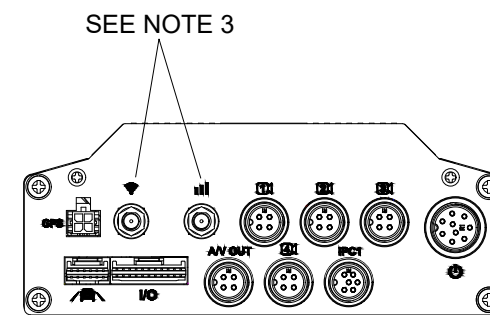
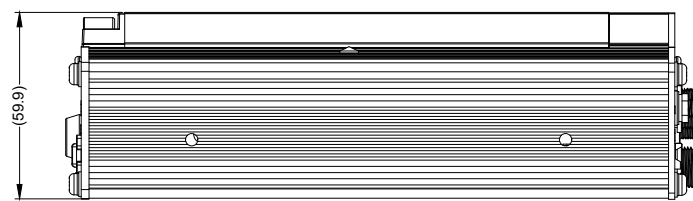
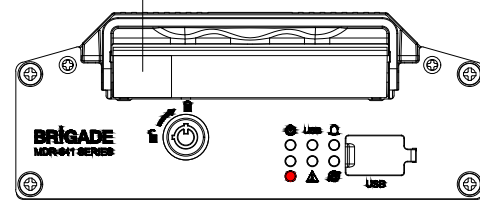
Checked:

Approved:

Date:



MDR QR CODE LABEL LOCATION



NOTES:

1. REFERENCE INSTRUCTION MANUAL FOR FUNCTIONALITY.
2. ANY CUSTOMER MODIFICATION OF THIS PRODUCT CAUSING SUBSEQUENT FAILURE IS NOT A LIABILITY OF BRIGADE ELECTRONICS GROUP PLC.
3. MOBILE NETWORK AND Wi-Fi CAPABILITIES DEPEND ON MODEL AND AVAILABILITY.
4. VARIOUS SYSTEM OPTIONS A TO T CONTAIN RELEVANT COMPONENTS.

PROPRIETARY NOTICE

THIS DESIGN AND TECHNICAL INFORMATION APPEARING ON THIS DRAWING IS THE PROPERTY OF BRIGADE ELECTRONICS, AND IS DISCLOSED IN CONFIDENCE. IT IS NOT TO BE COPIED, REPRODUCED, REVEALED TO OR EXPROPRIATED BY OTHERS, EITHER IN WHOLE OR IN PART WITHOUT THE EXPRESS WRITTEN CONSENT OF BRIGADE ELECTRONICS.

Sheet No
1 of 3

BRIGADE[®]
www.brigade-electronics.com

Assembly PI Approval P.BU	Approved by S.LAVER	Checked by S.ZHANG	Drawn by F.ADEMUJIMI
Angle of Projection 	Units mm	Scale N/A	Released 01/03/22
	Status RELEASED	Assembly Ref MDR-641XX-X-XXX-CU	
	Part No VARIOUS	BE-004615-00-21	

Revision Notes.

APA: _____ Drawn: _____ Checked: _____ Approved: _____ Date: _____

SYSTEM	PART NUMBER	QTY	MODEL NUMBER	DESCRIPTION
(A)	7095	1	MDR-641-0.5-CMR-CU	MDR-600 CONTROL UNIT, 4 ANALOGUE CHANNELS, 1 IP CHANNEL, 500GB CMR
(B)	7096	1	MDR-641G-0.5-CMR-CU	MDR-600 CONTROL UNIT, 4G, 4 ANALOGUE CHANNELS, 1 IP CHANNEL, 500GB CMR
(C)	7097	1	MDR-641GW-0.5-CMR-CU	MDR-600 CONTROL UNIT, 4G & WIFI, 4 ANALOGUE CHANNELS, 1 IP CHANNEL, 500GB CMR
(D)	7098	1	MDR-641G-0.5-CMR-CU(NA)	MDR-600 CONTROL UNIT, 4G, 4 ANALOGUE CHANNELS, 1 IP CHANNEL, 500GB CMR - NA
(E)	7099	1	MDR-641GW-0.5-CMR-CU(NA)	MDR-600 CONTROL UNIT, 4G & WIFI, 4 ANALOGUE CHANNELS, 1 IP CHANNEL, 500GB CMR - NA
(F)	7100	1	MDR-641-1-CMR-CU	MDR-600 CONTROL UNIT, 4 ANALOGUE CHANNELS, 1 IP CHANNEL, 1TB CMR
(G)	7101	1	MDR-641G-1-CMR-CU	MDR-600 CONTROL UNIT, 4G, 4 ANALOGUE CHANNELS, 1 IP CHANNEL, 1TB CMR
(H)	7102	1	MDR-641GW-1-CMR-CU	MDR-600 CONTROL UNIT, 4G & WIFI, 4 ANALOGUE CHANNELS, 1 IP CHANNEL, 1TB CMR
(I)	7103	1	MDR-641G-1-CMR-CU(NA)	MDR-600 CONTROL UNIT, 4G, 4 ANALOGUE CHANNELS, 1 IP CHANNEL, 1TB CMR - NA
(J)	7104	1	MDR-641GW-1-CMR-CU(NA)	MDR-600 CONTROL UNIT, 4G & WIFI, 4 ANALOGUE CHANNELS, 1 IP CHANNEL, 1TB CMR - NA
(K)	7105	1	MDR-641-1-SSD-CU	MDR-600 CONTROL UNIT, 4 ANALOGUE CHANNELS, 1 IP CHANNEL, 1TB SSD
(L)	7106	1	MDR-641G-1-SSD-CU	MDR-600 CONTROL UNIT, 4G, 4 ANALOGUE CHANNELS, 1 IP CHANNEL, 1TB SSD
(M)	7107	1	MDR-641GW-1-SSD-CU	MDR-600 CONTROL UNIT, 4G & WIFI, 4 ANALOGUE CHANNELS, 1 IP CHANNEL, 1TB SSD
(N)	7108	1	MDR-641G-1-SSD-CU(NA)	MDR-600 CONTROL UNIT, 4G, 4 ANALOGUE CHANNELS, 1 IP CHANNEL, 1TB SSD - NA
(O)	7109	1	MDR-641GW-1-SSD-CU(NA)	MDR-600 CONTROL UNIT, 4G & WIFI, 4 ANALOGUE CHANNELS, 1 IP CHANNEL, 1TB SSD - NA
(P)	7110	1	MDR-641-2-SSD-CU	MDR-600 CONTROL UNIT, 4 ANALOGUE CHANNELS, 1 IP CHANNEL, 2TB SSD
(Q)	7111	1	MDR-641G-2-SSD-CU	MDR-600 CONTROL UNIT, 4G, 4 ANALOGUE CHANNELS, 1 IP CHANNEL, 2TB SSD
(R)	7112	1	MDR-641GW-2-SSD-CU	MDR-600 CONTROL UNIT, 4G & WIFI, 4 ANALOGUE CHANNELS, 1 IP CHANNEL, 2TB SSD
(S)	7113	1	MDR-641G-2-SSD-CU(NA)	MDR-600 CONTROL UNIT, 4G, 4 ANALOGUE CHANNELS, 1 IP CHANNEL, 2TB SSD - NA
(T)	7114	1	MDR-641GW-2-SSD-CU(NA)	MDR-600 CONTROL UNIT, 4G & WIFI, 4 ANALOGUE CHANNELS, 1 IP CHANNEL, 2TB SSD - NA

- NOTES:
1. REFERENCE INSTRUCTION MANUAL FOR FUNCTIONALITY.
 2. ANY CUSTOMER MODIFICATION OF THIS PRODUCT CAUSING SUBSEQUENT FAILURE IS NOT A LIABILITY OF BRIGADE ELECTRONICS GROUP PLC.
 3. MOBILE NETWORK AND Wi-Fi CAPABILITIES DEPEND ON MODEL AND AVAILABILITY.
 4. VARIOUS SYSTEM OPTIONS A TO T CONTAIN RELEVANT COMPONENTS.

PROPRIETARY NOTICE

THIS DESIGN AND TECHNICAL INFORMATION APPEARING ON THIS DRAWING IS THE PROPERTY OF BRIGADE ELECTRONICS, AND IS DISCLOSED IN CONFIDENCE. IT IS NOT TO BE COPIED, REPRODUCED, REVEALED TO OR EXPROPRIATED BY OTHERS, EITHER IN WHOLE OR IN PART WITHOUT THE EXPRESS WRITTEN CONSENT OF BRIGADE ELECTRONICS.



Assembly PI Approval P.BU		Approved by S.LAVER	Checked by S.ZHANG	Drawn by F.ADEMUJIMI
Sheet No 2 of 3	Angle of Projection 	Units mm	Scale N/A	Released 01/03/22
Status RELEASED		MDR-641XX-X-XXX-CU		
Part No VARIOUS		BE-004615-00-21		

Revision Notes:
 APA: _____ Drawn: _____ Checked: _____ Approved: _____ Date: _____

ITEM	①	②	③	④	⑤	⑥	⑦	⑧	⑨
DESCRIPTION	MDR 600 4 ANALOGUE CHANNELS, 1 IP CHANNEL DOCKING STATION	MDR 600 4 ANALOGUE CHANNELS, 1 IP CHANNEL DOCKING STATION WITH 4G	MDR 600 4 ANALOGUE CHANNELS, 1 IP CHANNEL DOCKING STATION WITH 4G & WIFI	MDR 600 4 ANALOGUE CHANNELS, 1 IP CHANNEL DOCKING STATION WITH 4G - NA	MDR 600 4 ANALOGUE CHANNELS, 1 IP CHANNEL DOCKING STATION WITH 4G & WIFI - NA	MDR-641 Caddy Unit, 500GB CMR	MDR-641 Caddy Unit, 1TB CMR	MDR-641 Caddy Unit, 1TB SSD	MDR-641 Caddy Unit, 2TB SSD
MODEL NUMBER	MDR-641-DS	MDR-641G-DS	MDR-641GW-DS	MDR-641G-DS(NA)	MDR-641GW-DS(NA)	MDR-641-0.5-MCU-CMR	MDR-641-1-MCU-CMR	MDR-641-1-MCU-SSD	MDR-641-2-MCU-SSD
PART NUMBER	7115	7116	7117	7118	7119	7055	7060	7061	7062
MDR-641-0.5-CMR-CU QTY	1	-	-	-	-	1	-	-	-
MDR-641G-0.5-CMR-CU QTY	-	1	-	-	-	1	-	-	-
MDR-641GW-0.5-CMR-CU QTY	-	-	1	-	-	1	-	-	-
MDR-641G-0.5-CMR-CU(NA) QTY	-	-	-	1	-	1	-	-	-
MDR-641GW-0.5-CMR-CU(NA) QTY	-	-	-	-	1	1	-	-	-
MDR-641-1-CMR-CU QTY	1	-	-	-	-	-	1	-	-
MDR-641G-1-CMR-CU QTY	-	1	-	-	-	-	1	-	-
MDR-641GW-1-CMR-CU QTY	-	-	1	-	-	-	1	-	-
MDR-641G-1-CMR-CU(NA) QTY	-	-	-	1	-	-	1	-	-
MDR-641GW-1-CMR-CU(NA) QTY	-	-	-	-	1	-	1	-	-
MDR-641-1-SSD-CU QTY	1	-	-	-	-	-	-	1	-
MDR-641G-1-SSD-CU QTY	-	1	-	-	-	-	-	1	-
MDR-641GW-1-SSD-CU QTY	-	-	1	-	-	-	-	1	-
MDR-641G-1-SSD-CU(NA) QTY	-	-	-	1	-	-	-	1	-
MDR-641GW-1-SSD-CU(NA) QTY	-	-	-	-	1	-	-	1	-
MDR-641-2-SSD-CU QTY	1	-	-	-	-	-	-	-	1
MDR-641G-2-SSD-CU QTY	-	1	-	-	-	-	-	-	1
MDR-641GW-2-SSD-CU QTY	-	-	1	-	-	-	-	-	1
MDR-641G-2-SSD-CU(NA) QTY	-	-	-	1	-	-	-	-	1
MDR-641GW-2-SSD-CU(NA) QTY	-	-	-	-	1	-	-	-	1

- NOTES:
 1. REFERENCE INSTRUCTION MANUAL FOR FUNCTIONALITY.
 2. ANY CUSTOMER MODIFICATION OF THIS PRODUCT CAUSING SUBSEQUENT FAILURE IS NOT A LIABILITY OF BRIGADE ELECTRONICS GROUP PLC.
 3. MOBILE NETWORK AND Wi-Fi CAPABILITIES DEPEND ON MODEL AND AVAILABILITY.
 4. VARIOUS SYSTEM OPTIONS A TO T CONTAIN RELEVANT COMPONENTS.

PROPRIETARY NOTICE
 THIS DESIGN AND TECHNICAL INFORMATION APPEARING ON THIS DRAWING IS THE PROPERTY OF BRIGADE ELECTRONICS, AND IS DISCLOSED IN CONFIDENCE. IT IS NOT TO BE COPIED, REPRODUCED, REVEALED TO OR EXPROPRIATED BY OTHERS, EITHER IN WHOLE OR IN PART WITHOUT THE EXPRESS WRITTEN CONSENT OF BRIGADE ELECTRONICS.



Assembly PI Approval P.BU	Approved by S.LAVER	Checked by S.ZHANG	Drawn by F. ADEMUJIMI
Sheet No 3 of 3	Angle of Projection 	Units mm	Scale N/A
		Released 01/03/22	Assembly Ref N/A
		Status RELEASED	MDR-641XX-X-XXX-CU
		Part No VARIOUS	BE-004615-00-21